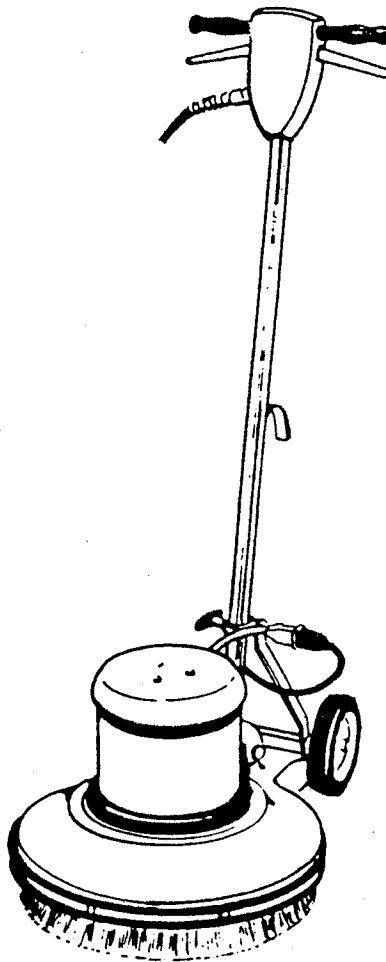


- OPERATION
- SERVICE
- PARTS
- CARE

Hako[®]
Minuteman[®]

Model No: M 17760-00
M 17760-01
M 20760-00

old style



*See Research
Grand Rapids, Mi
616-241-3411*

old style

OPERATION

The brush is attached to the machine in the following manner: Tip machine backward with handle on the floor. Brush is then inserted over the lugs on the bottom of the gear unit and twisted to the left. This secures the clutch plate of the brush over the lugs on the gear unit in the correct driving position.

DO NOT INSTALL BRUSH BY RUNNING MACHINE OVER IT.

Due to the rotation of a single disc machine, it will naturally have a tendency to move to the right or left, depending on the operator's slight pressure either up or down on the handle. If the handle is lifted slightly up, the machine will travel to the right; a downward pressure, and it will travel to the left. It is this maneuverability that enables an operator to cover large areas in a short time with the least amount of effort. The machine can be made to operate without travel by balancing...KEEPING THE BRUSH PRESSURE ON THE FLOOR EQUAL. With a few minutes of practice in a large area, you will have perfect fingertip control of the machine.

DO NOT FIGHT THE MACHINE. FOLLOW THE DIRECTIONS ABOVE AND LET THE MACHINE DO THE WORK.

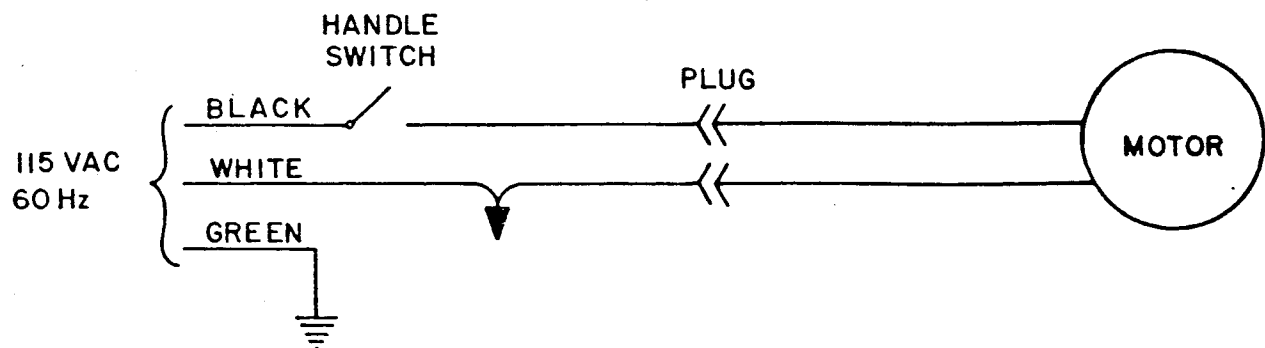
DO NOT SUBJECT THE BRUSHES TO UNNECESSARY PRESSURE. Remove the brush from the machine when not in use. If the machine wobbles, it is an indication of uneven brush bristles or an off-center clutch plate.

On retractable type wheel assemblies, never operate the machine with wheels on floor.

MACHINE MAINTENANCE

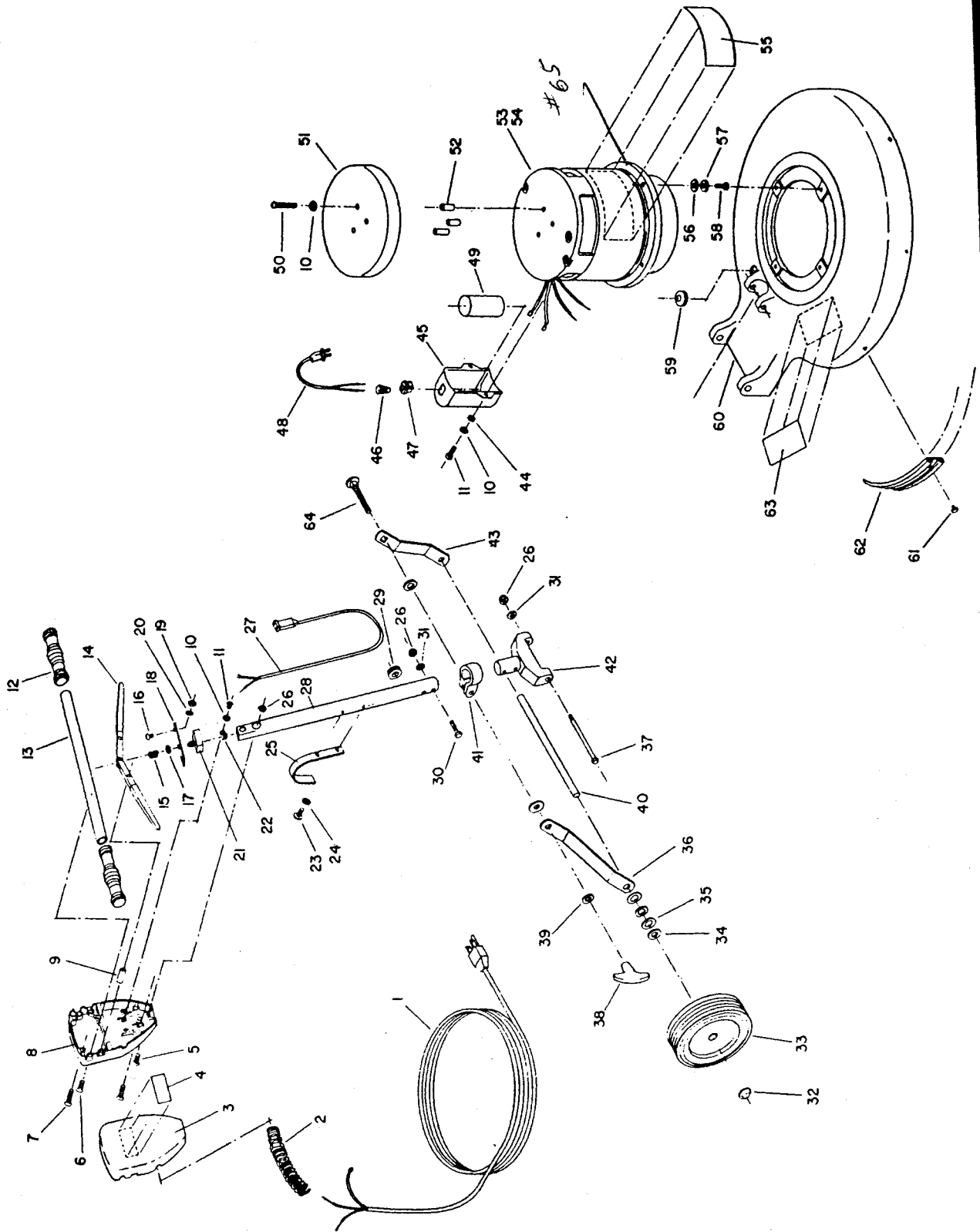
Before making any repairs or adjustments on machine, disconnect power cord from electrical source. Motors and bearing cases are factory sealed and require no lubrication. Motors are of 50° centigrade type. Normally they will heat up to 150° depending on the temperature in the area where they are being used. If the wiring and current are correct, heating of the motor will do no harm. Motors must heat to some extent to be effective.

Keep motors clean by blowing out at exhaust ports with an air hose or bellows. Remove motor cover and blow out the top periodically. Keep the machine clean at all times. Wipe off the machine regularly with a damp cloth. Do not lay machine down on handle for long periods of time.



WIRING DIAGRAM SPECIAL SERIES

old style



PARTS LISTING

ITEM NO.	PART NO.	QTY.	DESCRIPTION	ITEM NO.	PART NO.	QTY.	DESCRIPTION
1	150002	1	Cord 14-3 50' w/molded cord end	35	711524	4	Washer, wave #26
2	150003	1	Strain relief	36	130022	1	Brace, right
3	750390	1	Switch box assembly, includes Parts 8, 9	37	760261	1	Bolt handle yoke
4		1	Decal, logo	38	130015PLT	1	Tee handle
5	710480	2	1/4-20 x 7/8 OHMS	39	711515	7	Washer, flat 3/8
6	711138	2	1/4-20 x 7/8 OHMS self tap	40	170048	1	Axle
7	710484	8	1/4-20 x 1 1/2 OHMS	41	130014POL	1	Collar
8	750390	1	Switch box assy, includes Parts 3, 9	42	130016POL	1	Yoke
9	711634	2	Roll pin 3/32 x 1 1/4	43	130021	1	Handle bracket, left
10	711543	2	Washer lock #10	44		4	Washer flat #10
11	710353	4	10-32 x 3/8 RHMS	45		1	Cover, cap
12	130003	2	Grip handle	46	740005	2	Cap, wire
13	130009	1	Tube handle grip	47	740108	1	Strain, relief
14	750582	1	Lever, switch assembly	48		1	Pig tail, motor
15	170051	1	Spring, switch	49	760237	1	Capacitor
16	710304	2	6-32 x 5/8 RHMS	50	710357	3	10-32 x 3/4 RHMS
17		1	Nut, switch 3/8-32	51	160048PLT	1	Drip cover
18	170025	1	Bracket, switch	52	255045	3	Spacer
19	711301	2	Nut 6/32	53	171000	1	Motor only, 3/4 HP
20	711551	2	Washer #6 lock	54	200000	1	Motor only, 1 HP
21	740029	1	Switch	55		1	Decal, logo
22	130010	1	Clamp cord	56	711506	4	Washer, flat 5/16
23	711202	2	Bolt 1/4-20 x 1/2 HHMS	57	711545	4	Washer, lock 5/16
24	711544	2	Washer lock 1/4	58	711230	4	Bolt, 5/16-18 x 1
25	170040PLT	1	Hook, cord	59	130029	1	Grommet
26	711373	4	Nut, LOC 1/4	60	200003POL	1	Casting 20"
27	762156	1	Cord handle tube	60a	170002POL	1	Casting 17"
28	150001PLT	1	Tube, handle	62	205043	1	Bumper 20"
29	130013	1	Grommet	62a	180043	1	Bumper 17"
30	711213	2	Bolt handle 1/4-20 x 1 5/8	64	711254	1	BLT 3/8 x 16 x 2.5
31	711505	3	Washer, flat 1/4	65	151000	1	Gear unit only 3/4-1 HP
32	130032	2	Cap wheel	****	180035		Motor and gear unit complete 3/4 HP
33	170047	2	Wheel 6"	****			Motor and gear unit complete 1 HP
34	711509	4	Washer, flat 1/2	****	200002		Motor and gear unit complete 1 HP

Complete
832533

old style